

# CPU101

## CPU module

Name	Order no.	Description						Dimension (Unit:mm)	
		Power supply	DI	DO	Expansion	HSC	Pulse output		Communication port
KS101	<b>KS101M-04DX</b>	DC 24V	4	none	14	2*Max 200KHz single phase and AB phase	none	1*Ethernet, 2*CAN, 1*RS232 1*RS485 Max 115.2kbps	100*84.5*25.4
	<b>KS105-16DT</b>		8	8* Transistor	14	4*200KHz Single-phase and dual- phase(A/B phase)	3*200KHz 1*10KHz	1*RS232, 1*RS485 Max 115.2kbps 1*RS232, 1*RS485 Max 115.2kbps, 1*CAN 1*RS232, 1*RS485 Max 115.2kbps, 2*CAN	
KS105	<b>KS105C1-16DT</b>	DC 24V	8	8* Transistor	Not support	4*200KHz Single-phase and dual- phase(A/B phase)	3*200KHz 1*10KHz	1*RS232, 1*RS485 Max 115.2kbps, 1*CAN	100*84.5*25.4
	<b>KS105C2-16DT</b>		8	8* Transistor	14	4*200KHz Single-phase and dual- phase(A/B phase)	3*200KHz 1*10KHz	1*RS232, 1*RS485 Max 115.2kbps, 1*CAN	

## KS101M-04DX



Power supply: DC24V  
 Built-in I/O points: 4\*DI  
 Communication ports: Micro USB2.0, 1 Ethernet, 1\*RS232, 1\*RS485, 1\*CAN, 1\*expansion port( also be CAN interface at the same time, support CAN free communication).  
 Connectable expansion modules: Yes.At most 14 expansion modules  
 Real-time clock: Yes, deviation less than 5 min/month at 25°C  
 Memory area: User program memory--Max 8K steps;  
 User data memory--M area 4KB, V area 16KB;  
 Data backup characteristic--E2PROM,the last 1K bytes of V area, permanent storage.  
 Data retention characteristic--All V area.Lithium battery,  
 3 years at normal temperature  
 Installation size: 100×84.5×25.4mm(mm)(L×W×H)

# CPU105



## KS105-16DT

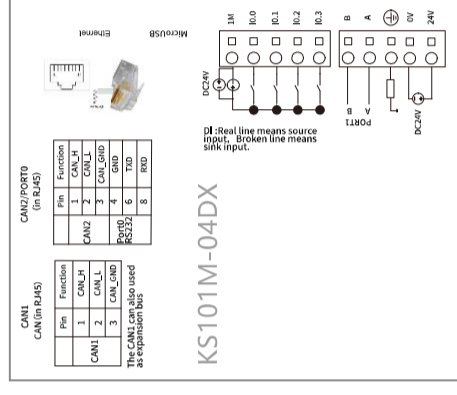
Power supply: DC24V  
 Built-in I/O points: 16 I/O, DI 8\*DC24V, DO 8\*DC24V, transistor output  
 Communication ports: 1\*RS232, 1\*RS485  
 Connectable expansion modules: Yes.At most 14 expansion modules  
 Real-time clock: Yes, deviation less than 5 min/month at 25°C  
 Memory area: User program memory--Max 4K steps;  
 User data memory--M area 1KB, V area 4KB;  
 Data backup characteristic--E2PROM,448 bytes;  
 Data retention characteristic--V area 1K bytes (VB0-VB1023) .  
 C area (C0-C64).Lithium battery,3 years at normal temperature  
 Installation size: 100×84.5×25.4mm(mm)(L×W×H)

## Expansion module

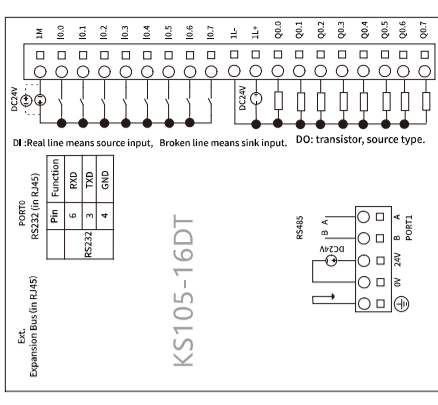
Name	Order no.	Description						Dimension (Unit:mm)
		Power supply	DI	DO	AI	AO	Communication port	
PM121	<b>KS121-16DX</b>	DC 24V	16	None	None	None	None	100*84.5*25.4
PM122	<b>KS122-12XR</b>		None	12*Relay	None	None	1*RS485, MODBUS slave	
PM122	<b>KS122-14DT</b>		None	14*Transistor	None	None		
PM123	<b>KS123-14DR</b>		8	6*Relay	None	None		
PM133	<b>KS133-06IV</b>		None	None	4	2	4 thermal resistor input channel, PT100, PT1000, Cu50, R	
PM131	<b>KS131-04RD</b>	None	4 thermal resistor input channel, PT100, PT1000, Cu50, R	None	None			

## Expansion module

## KS101M-04DX



## KS105-16DT



# CPU105



## KS105C1-16DT

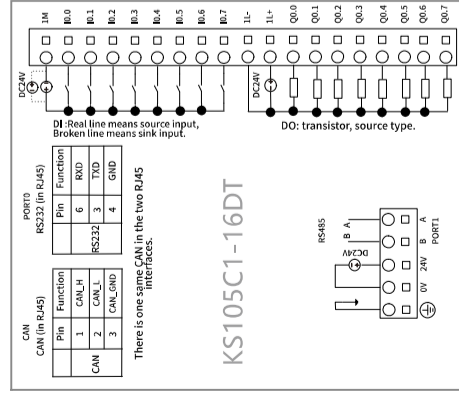
Power supply: DC24V  
 Built-in I/O points: 16 I/O, DI 8\*DC24V, DO 8\*DC24V, transistor output  
 Communication ports: 1 CAN, 1 RS232, 1 RS485  
 Connectable expansion modules: No  
 Real-time clock: Yes, deviation less than 5 min/month at 25°C  
 Memory area: User program memory--Max 4K steps;  
 User data memory--M area 1KB, V area 4KB;  
 Data backup characteristic--E2PROM,448 bytes;  
 Data retention characteristic--V area 1K bytes (VB0-VB1023)  
 C area (C0-C64).Lithium battery,3 years at normal temperature  
 Installation size: 100×84.5×25.4mm(mm)(L×W×H)



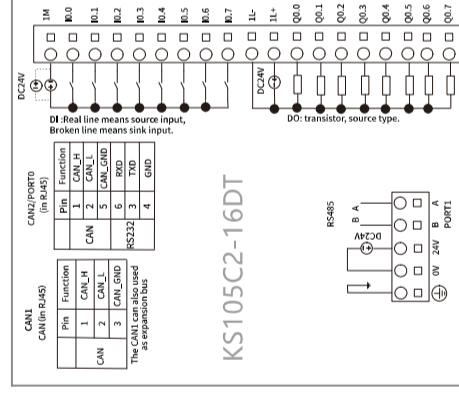
## KS105C2-16DT

Power supply: DC24V  
 Built-in I/O points: 16 I/O, DI 8\*DC24V, DO 8\*DC24V, transistor output  
 Communication ports: 1 RS232, 1 RS485, 1\*CAN, 1\*expansion port  
 (also be CAN interface at the same time, support CAN free communication).  
 Connectable expansion modules: Yes.At most 14 expansion modules  
 Real-time clock: Yes, deviation less than 5 min/month at 25°C  
 Memory area: User program memory--Max 4K steps;  
 User data memory--M area 1KB, V area 4KB;  
 Data backup characteristic--E2PROM,448 bytes;  
 Data retention characteristic--V area 1K bytes (VB0-VB1023)  
 C area (C0-C64).Lithium battery,3 years at normal temperature  
 Installation size: 100×84.5×25.4mm(mm)(L×W×H)

### KS105C1-16DT



### KS105C2-16DT



# Expansion Module



## KS121-16DX

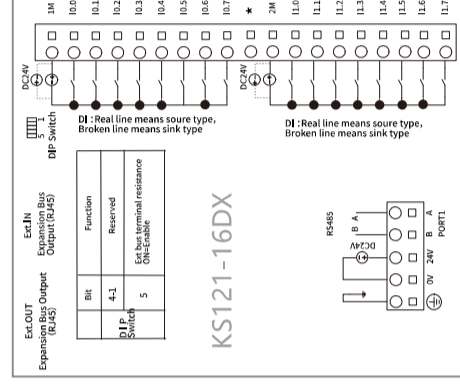
Power supply: DC24V  
 Input point: 16, divided into 2 groups, each group with 8 channels  
 Input type: Source / Sink  
 Input voltage: Rated DC24V, voltage range of logic "1" is DC11-30V  
 Isolation method: Photoelectric isolation between the signal and internal circuit.  
 Isolation voltage: 500VAC / 1 minute  
 Installation size: 100\*84.5\*25.4mm(mm)(L×W×H)



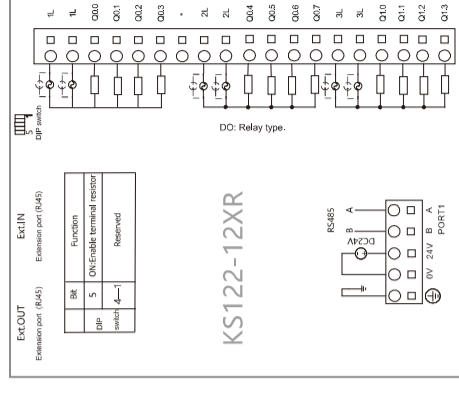
## KS122-12XR

Power supply: DC24V  
 Output points: 12, divided into 3groups, each group with 4 channels  
 Output type: Relay  
 Load voltage: Max. DC30V/AC250V, max.load current of each channel is 2A  
 Isolation method: Relay, Isolation voltage of coil and contacts 1500VAC / 1 min  
 Installation size: 100\*84.5\*25.4mm(mm)(L×W×H)

### KS121-16DX



### KS122-12XR



## Expansion Module



### KS122-14DT

Power supply: DC24V

Output point: 14, divided into 2 groups

Output type: Source

Output voltage: Rated DC24V, max. output current of each channel is 500mA

Circuit protection: Power supply access polarity protection, Output short circuit protection, Inductive load output protection

Isolation method: Photoelectric isolation between the signal and internal circuit.

Isolation voltage 500VAC / 1 minute

Installation size: 100\*84.5\*25.4mm(mm)(L×W×H)



### KS123-14DR

Power supply: DC24V

Input point: 8, totally classified into 1 group

Input type: Source / Sink

Input voltage: Rated DC24V, voltage range of logic "1" is DC11~30V

Output point: 6, divided into 2 groups

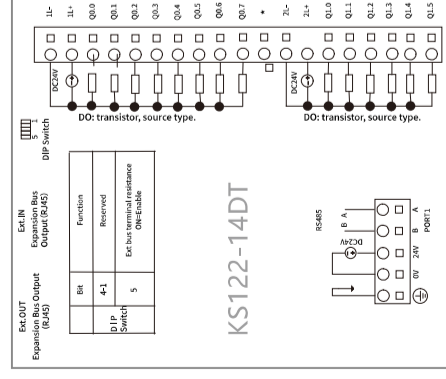
Output type: Relay

Load voltage: Max. DC30V/AC250V, max.load current of each channel is 2A

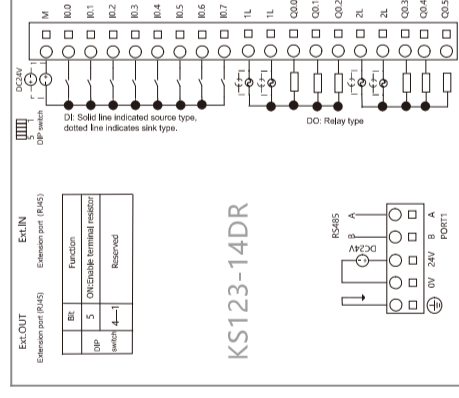
Isolation method: DI channel adopts opto-coupler isolation  
DO channels adopt relay isolation

Installation size: 100\*84.5\*25.4mm(mm)(L×W×H)

### KS122-14DT



### KS123-14DR



## Expansion Module



### KS131-04RD

Power supply: DC24V

Input channel: 4

Input signal: Pt100, Pt1000, Cu50, Resistor are selectable, 2-wire or 3-wire

Measurement range: Pt100 -200~850°C, Cu50 -50~-150°C, Pt1000 -50~300°C, Resistorce 0~2000Ω

Measurement accuracy: Temperature±0.5°C; Resistance±1Ω

Parameter configuration: Each channel is individually parameterized through KincoBuilder software

Installation size: 100\*84.5\*25.4mm(mm)(L×W×H)



### KS133-06IV

Power supply: DC24V

Input channel: 4 (4-20mA, 1-5V, 0-20mA, 0-10V signals are optional)

Measurement accuracy: 0.3% F.S

Output channel: 2 (4-20mA, 1-5V, 0-20mA, 0-10V signals are optional)

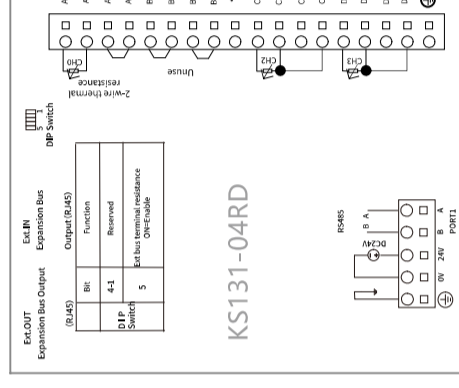
Output accuracy: 0.5% F.S

Parameter configuration: Each channel is individually parameterized through KincoBuilder software

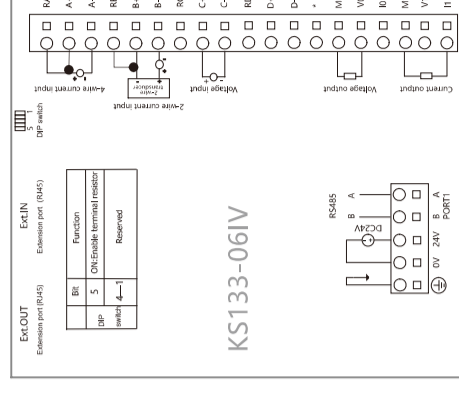
Signal limitation: Current input is not allowed to exceed 24mA, voltage input is not allowed to exceed 12V

Installation size: 100\*84.5\*25.4mm(mm)(L×W×H)

### KS131-04RD



### KS133-06IV



## Overview

Kinco KW series PLC is a kind of Small integrated PLC, wireless products for intelligent manufacturing.

KW Series PLC in the continuation of the K5, K2 series of rich functions, high performance and high reliability of the premise, the use of higher performance CPU. It also provides functions closer to users' needs, such as built-in Ethernet interface, MicroUSB, high performance high-speed input and output, compact installation, and rich extension modules. It can also meet the needs of users in various applications.

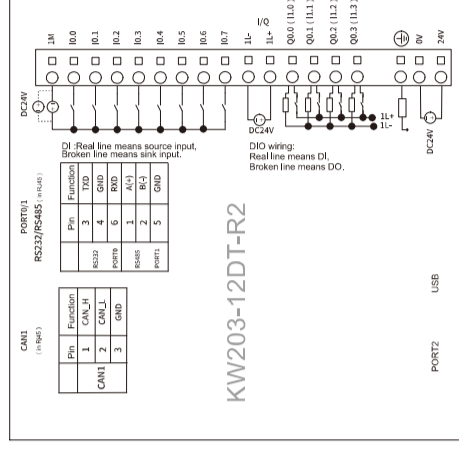
## CPU203



### KW203-12DT-R2

- Power supply: DC24V (DC20.4V—DC28.8V)
- Built-in I/O points: 12 I/O, 8\*DI, 4\*DIO
- Expansion module: Up to 14 KS series expansion modules
- High-speed input: 4, support single phase and AB phase, Max. : 200KHz
- High-speed output: 2, support pulse + direction, Max. : 200KHz,  
(The resistor of load must be less than 1.5KΩ)
- Wired communication port: 1\*MicroUSB(Programming port), 1\*RS232, 1\*RS485, 1 CAN(Can be used as an extended port)
- Wireless communication port: 1\*LoRa, communication frequency band 2.4GHz
- Wireless transmission rate: 0.59 - 1300Kbps
- Wireless transmission distance: The visible communication distance is greater than 1 km  
(clear weather, no obstruction, antenna gain 3dBi, antenna height 2 meters)
- Real-time clock: Yes, deviation less than 5 min/month at 25°C
- Installation size(mm): 100\*84.5\*25.4mm (L×W×H)
- Memory area: User program memory--Max 4K steps;  
User data memory—M area 1KB, V area 4KB;  
Data backup characteristic--E2PROM, 448 bytes;  
Data retention characteristic--V area 1K bytes (VB0-VB1023) . C area (C0-C64).  
Lithium battery, 3 years at normal temperature

### KW203-12DT-R2



## Technical Specifications

KW Series PLC							
Specification							
Series	Order no.	Supply voltage	IO	Port	Wireless band	Number of expansion modules	Installation size(mm)
KW2	<b>KW203-12DT-R2</b>	DC 24V	8*DI, 4*DIO Include: 4 high-speed pulse inputs, 2 high-speed pulse output, Max 200KHz	1*RS485, 1*RS232, 1*CAN, 1*LoRa(wireless)	2.4GHz	Up to 14	100*84.5*25.4
KW213	<b>KW213-08DTX-R2</b>	DC 9~24V	DIO 8*Transistor	1*RS485, 1*LoRa (wireless)	2.4~2.5GHz	Extension bus: not supported. Programming port: Micro-USB	100*84.5*25.4

## Mechanical Dimensions (Unit: mm)

